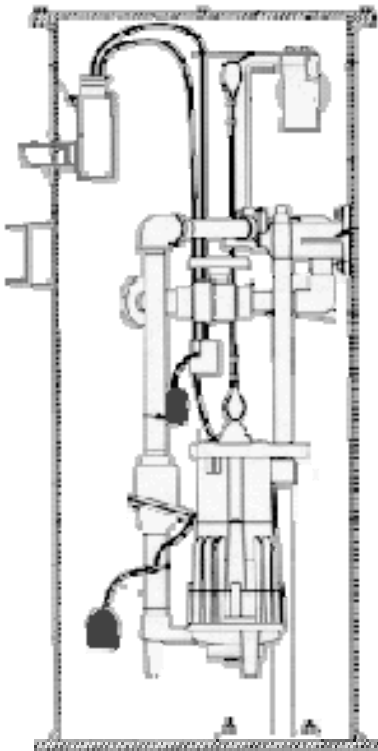


# JOB READY GRINDER PACKAGES & TANKS

9 - 5 - 08

DEAN BENNETT SUPPLY CO  
Toll Free : 800-621-4291  
PRICES ARE YOUR NET COSTS

Page 16b



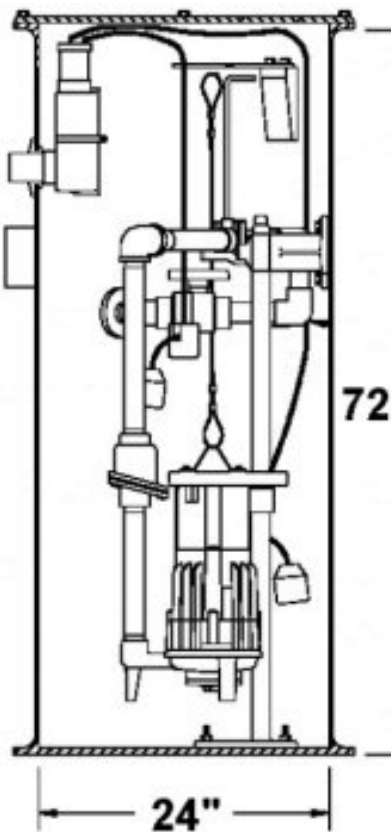
\$ 495.00 #31-0866 24" Diameter x 48" Deep <sup>310866</sup>  
**Fiberglass Simplex Tank Suitable for Burial**  
Has anti-floatation ring - - - Comes with 3/8" thick x 28" diameter solid fiberglass lid - - - Comes with 5 grommet seals ( one 1-1/4", one 1-1/2", two 2" and one 4" )

\$ 555.00 #31-0946 24" Diameter x 60" Deep <sup>310946</sup>  
**Fiberglass Simplex Tank Suitable for Burial**  
Has anti-floatation ring - - - Comes with 3/8" thick x 28" diameter solid fiberglass lid - - - Comes with 5 grommet seals ( one 1-1/4", one 1-1/2", two 2" and one 4" )

\$ 1050.00 #31-1451 36" Diameter x 60" Deep <sup>311451</sup>  
**Fiberglass Duplex Tank Suitable for Burial**  
Designed for duplex 2 pump system for grinder pumps or sewage pumps. Has anti-floatation ring - - - Comes with 3/8" thick solid fiberglass lid - - - Comes with 5 grommet seals ( one 1-1/4", one 1-1/2", two 2", and one 4" )  
**These tanks are normal Denver stock items.**

\$ 245.00 #310994 24" x 12" Extension for use with 24" fiberglass outdoor burial basins. Zoeller does not recommend using more than 1 extension on their fiberglass tanks.

\$ 299.00 #310813 36" x 12" Extension for 36" fiberglass tank.



\$ 3325.00 #922-0007 **Factory Assembled WD820 Simplex Grinder Package System ( 24" x 72" )** <sup>9220007</sup>  
**Job Ready ( as pictured to the left )** This factory assembled system consists of the WD820 2 hp 230v Automatic Sewage Grinder pump, 24" x 72" Simplex Basin, fiberglass lid, 1-1/2" Stainless Steel Guide Rail System with stainless lifting cable, stainless pull rod, and a brass disconnect fitting. Unit is assembled with the 1-1/4" cast iron sewage check valve and 1-1/4" galvanized steel discharge pipe. Alarm package is included but not pictured. The floats for turning the pump on and off and for the alarm are connected through the Quik Box watertight splicing connection box. An 1-1/4" PVC Ball Valve is installed at the 1-1/4" Bulk Head discharge fitting to prevent sewage draining back into the tank after disconnection.

\$ 4540.00 #922-0011 **Factory Assembled E840 Simplex Grinder Package System ( 24" x 72" )** <sup>9220011</sup>  
**Job Ready ( as pictured to the left )** This factory assembled 840 Simplex Grinder Package System consists of E-840 2 hp 230V grinder pump with cutters that automatically alternate direction with each start. System comes with a Nema 4X Simplex outdoor control panel with dual high water alarm, that has both a warning light and a loud horn, automatic reversing circuit, 3 floats with weights and brackets, and a junction box mounted inside the tank. The 24" x 72" deep outdoor fiberglass basin with Stainless Steel rail system has 1-1/4" discharge pipe, a pull rod, lifting cable, ball valve, cast iron check valve, cast iron hub that needs to be field installed, and a fiberglass cover. **These factory assembled systems are NOW Denver stock items ready for immediate delivery.**