

WINDMILL BOOKS & MANUALS

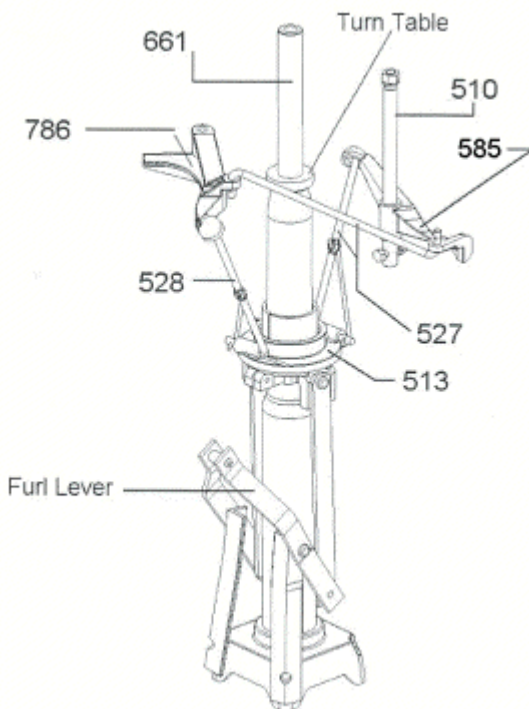
Page 57aa

THE 702 MODEL WINDMILL ITS ASSEMBLY, INSTALLATION AND USE



T. LINDSAY BAKER

This windmill manual will be worth its weight in gold to you when maintaining your 702 model windmill. Information you will not find anywhere else is available to you for the small cost of \$ 29.00.



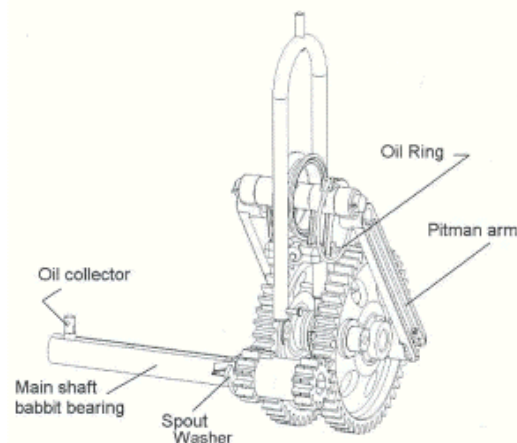
DEAN BENNETT SUPPLY Ph 800-621-4291

11/5/2008

702 Model Windmill Manual \$ 29.00

This book explains the running gear of the 702 windmill motor. How to assemble the windmill, how to maintain and repair the windmill, and basic information that will make your ownership of a windmill more exciting and beneficial. If you have a 702 windmill, this manual is a must.

To the left is a drawing from this manual that shows how the parts of the windmill post assemble into the top of a tower to support the windmill. Note that the 609 furling unit goes over the post, and the angles secure to the corners of the tower where the post base is bolted on. The 513, now a 613 goes over the 609 furl lever and has a pair of 528 arms that extend up into cups on the end of the 585 and the 786 castings. The 585 pivots on the 510 pin which goes through the tail bone assembly. The hook on the end of the 585 is used to pull the tail out of the wind when the 613 is lifted putting pressure outward on the 585. On the other side, the 786 when forced outward with the lift of the 613, applies pressure to the brake band to stop the wheel and gears from turning.



The running gear of a windmill.

We also offer the "Windmills and Pumps of the Southwest" book written by Dick Hays and Bill Allen. This book is available for \$ 19.95

We offer a set of Aermotor windmill instructions, tower assembly instructions and a picture set for \$ 20.00